

WAGO Relay Modules

WAGO Relay Modules Selection Guide

1

Nominal Input Voltage U_{nom}	Limiting Continuous Current	Make Contact	Break Contact	Changeover Contact	Approvals								Contact Material	For Railway Applications	Specialty function	Item Number	Page	
					EN 50121-3-2	EN 50155	EN 61373	EN 50205	EN 61810-3	EN 61812-1	GL	UL 508						ATEX
5 VDC	5 A			1			■					■	■		AgSnO ₂		859-302	80
5 VDC	5 A			1			■					■	■		AgNi + Au		859-312	81
12 VDC	5 A			1			■					■	■		AgSnO ₂		859-303	80
12 VDC	5 A			1			■					■	■		AgSnO ₂		859-353	82
12 VDC	5 A			4			■						■	AgCe	With manual operation	858-303	66	
12 VDC	6 A			1			■						■	AgSnO ₂		857-303	12	
12 VDC	8 A			2			■						■	AgNi 90/10		788-311	32	
12 VDC	16 A			1			■						■	AgNi 90/10		788-303	30	
12 VDC	16 A			1			■						■	AgSnO ₂	For lamp loads	788-353	38	
24 VDC	0.3 A			2					■				■	AgNi + Au	Force-guided contacts	788-906	42	
24 VDC	5 A	1												AgSnO ₂		286-364	138	
24 VDC	5 A	1												AgNi 0.15		288-364	130	
24 VDC	5 A	4			■		■							AgNi	■	2042-3024	104	
24 VDC	5 A	2	2			■	■							AgNi	■	2042-3084	106	
24 VDC	5 A	3	1			■	■							AgNi	■	2042-3074	105	
24 VDC	5 A		1											AgNi 0.15		288-368	131	
24 VDC	5 A		1											AgNi		286-368	139	
24 VDC	5 A		1				■			■				AgSnO ₂		859-304	80	
24 VDC	5 A		1				■			■				AgSnO ₂	■	859-390	84	
24 VDC	5 A		1				■			■				AgSnO ₂	■	859-398	87	
24 VDC	5 A		1				■			■				AgNi + Au		859-314	81	
24 VDC	5 A		1				■			■				AgNi + Au	■	859-392	85	
24 VDC	5 A		2											AgNi 10 +Au	Force-guided contacts	288-437	135	
24 VDC	5 A		4				■			■				AgCe	With manual operation	858-304	66	
24 VDC	5 A		4				■			■				AgCe + Au	With manual operation	858-314	67	
24 VDC	5 A		4				■			■				AgCe	■ With manual operation	858-354	70	
24 VDC	5 A		4				■			■				AgCe + Au	■ With manual operation	858-355	71	
24 VDC	6 A	1			■		■							AgSnO ₂	■	2042-3004	92	
24 VDC	6 A	1	1											AgSnO ₂		286-320	144	
24 VDC	6 A	2												AgSnO ₂		286-328	145	
24 VDC	6 A		1		■		■							AgSnO ₂	■	2042-3054	93	
24 VDC	6 A		1				■			■				AgSnO ₂		857-304	12	
24 VDC	6 A		1				■			■				AgNi + Au		857-314	13	
24 VDC	6 A		1		■		■		■	■				AgSnO ₂	■ Multifunctional/multi-time	857-640	22	
24 VDC	6 A		1		■		■		■	■				AgSnO ₂	■ Multifunctional/multi-time	857-642	23	
24 VDC	6 A		1		■		■		■	■				AgSnO ₂	■ Multifunctional/multi-time	857-604	24	
24 VDC	6 A		1											AgNi 0.15	Bistable	286-380	146	
24 VDC	6 A		1											AgNi 0.15	Bistable	286-381	147	
24 VDC	6 A		1											AgNi 90/10		288-304	132	
24 VDC	6 A		1											AgNi 0.15	Bistable	288-380	134	
24 VDC	6 A		2											AgNi 0.15		288-312	133	
24 VDC	6 A		2				■	■						AgNi	Force-guided contacts	788-384	41	
24 VDC	6 A		4											AgNi 90/10	With manual operation	858-390	72	
24 VDC	7 A		1											AgNi 0.15		286-304	140	
24 VDC	7 A		2											AgNi 0.15		286-312	142	
24 VDC	8 A	2			■		■							AgNi	■	2042-3014	98	
24 VDC	8 A	1	1		■		■							AgNi	■	2042-3064	100	
24 VDC	8 A		2				■							AgNi 90/10		788-312	32	
24 VDC	8 A		2				■							AgNi + Au		788-412	33	
24 VDC	8 A		2				■							AgNi	With manual operation	788-346	45	
24 VDC	8 A		2				■							AgNi	■ With manual operation	788-390	48	
24 VDC	8 A		2											AgNi 90/10		789-312	114	
24 VDC	8 A		2											AgNi	With manual operation	789-1346	120	

WAGO Relay Modules Selection Guide

Nominal Input Voltage U _{nom}	Limiting Continuous Current	Make Contact	Break Contact	Changeover Contact	Approvals								Contact Material	For Railway Applications	Specialty function	Item Number	Page	
					EN 50121-3-2	EN 50155	EN 61373	EN 50205	EN 61810-3	EN 61812-1	GL	UL 508						ATEX
24 VDC	8 A			2		■	■							AgNi	■		2042-3044	99
24 VDC	10 A			1	■		■							AgNi	■		2042-3034	96
24 VDC	12 A			1										AgNi 90/10			789-304	112
24 VDC	12 A			1										AgNi		With manual operation	789-1341	118
24 VDC	12 A			1					■					AgSnO ₂		For lamp loads; Manual/OFF/Auto switch	789-326	125
24 VDC	12 A			1										AgSnO ₂		For lamp loads; Manual/OFF/Auto switch	789-329	126
24 VDC	12 A			2								■		AgNi		With manual operation	858-324	74
24 VDC	16 A	1					■					■		AgSnO ₂		For lamp loads	788-356	39
24 VDC	16 A	1					■							AgSnO ₂		For lamp loads	788-357	40
24 VDC	16 A	1												AgSnO ₂		For lamp loads; Manual/OFF/Auto switch	789-323	122
24 VDC	16 A	1						■						AgSnO ₂		For lamp loads; Manual/OFF/Auto switch	789-324	123
24 VDC	16 A	1												AgSnO ₂		For lamp loads; Manual/OFF/Auto switch	789-325	125
24 VDC	16 A	1												AgSnO ₂			789-571	127
24 VDC	16 A			1			■					■		AgNi 90/10			788-304	30
24 VDC	16 A			1			■					■		AgNi + Au			788-404	31
24 VDC	16 A			1			■					■		AgSnO ₂		For lamp loads	788-354	38
24 VDC	16 A			1			■					■		AgNi		With manual operation	788-341	44
24 VDC	16 A			1			■							AgNi		With manual operation	788-391	49
36 VDC	5 A			1			■							AgNi + Au	■		859-386	85
48 VDC	5 A			1			■					■	■	AgSnO ₂			859-305	80
48 VDC	5 A			1			■					■		AgSnO ₂	■		859-397	87
48 VDC	5 A			4			■						■	AgCe		With manual operation	858-305	66
48 VDC	6 A			1			■						■	AgSnO ₂			857-305	12
48 VDC	8 A			2			■						■	AgNi 90/10			788-313	32
48 VDC	12 A			2									■	AgNi		With manual operation	858-325	74
48 VDC	16 A			1			■						■	AgNi 90/10			788-305	30
60 VDC	8 A			2			■						■	AgNi 90/10			788-314	32
60 VDC	16 A			1			■						■	AgNi 90/10			788-306	30
110 VDC	5 A			1			■					■	■	AgSnO ₂			859-307	80
110 VDC	5 A			1			■					■	■	AgSnO ₂	■		859-391	86
110 VDC	5 A			1			■					■		AgSnO ₂	■		859-399	87
110 VDC	5 A			1			■					■	■	AgNi + Au	■		859-317	85
110 VDC	5 A			4			■						■	AgCe		With manual operation	858-307	66
110 VDC	6 A			4									■	AgNi 90/10		With manual operation	858-392	72
110 VDC	8 A			2			■						■	AgNi 90/10			788-315	32
110 VDC	8 A			2			■						■	AgNi + Au			788-415	33
110 VDC	12 A			2									■	AgNi		With manual operation	858-327	74
110 VDC	16 A			1			■						■	AgNi 90/10			788-307	30
220 VDC	5 A			1			■					■	■	AgSnO ₂			859-308	80
220 VDC	5 A			1			■					■	■	AgNi + Au			859-318	81
220 VDC	5 A			4			■						■	AgCe		With manual operation	858-308	66
220 VDC	6 A			4									■	AgNi 90/10		With manual operation	858-391	72
220 VDC	12 A			2									■	AgNi		With manual operation	858-328	74

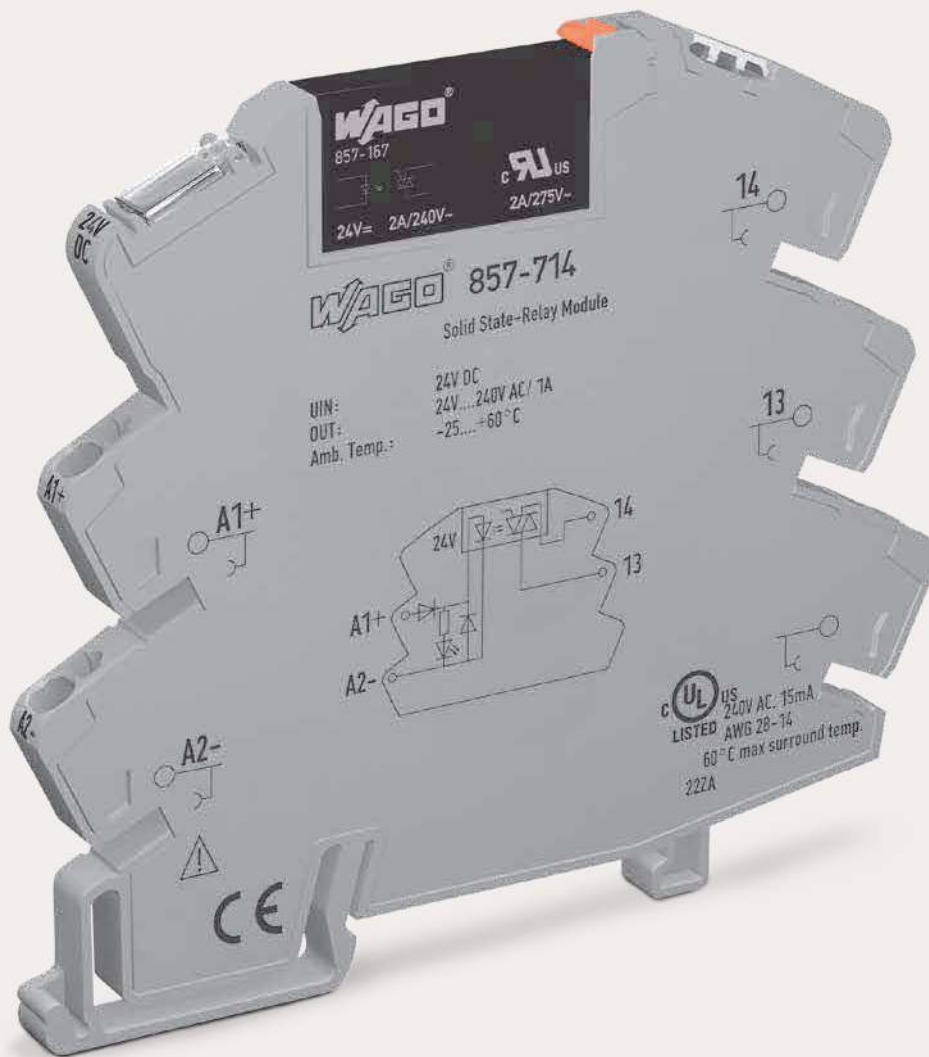
WAGO Relay Modules Selection Guide

1

Nominal Input Voltage U_{nom}	Limiting Continuous Current	Make Contact	Break Contact	Changeover Contact	Approvals									Contact Material	For Railway Applications	Specialty function	Item Number	Page
					EN 50121-3-2	EN 50155	EN 61373	EN 50205	EN 61810-3	EN 61812-1	GL	UL 508	ATEX					
12 VAC	6 A	4	4					■					■		AgSnO ₂	Force-guided contacts	288-413	136
24 VAC	5 A			4			■						■		AgCe	With manual operation	858-504	68
24 VAC	5 A			4			■						■		AgCe + Au	With manual operation	858-514	69
24 VAC	8 A			2			■						■		AgNi 90/10		788-512	36
24 VAC	8 A			2			■						■		AgNi	With manual operation	788-546	47
24 VAC	16 A			1			■						■		AgNi 90/10		788-506	34
24 VAC	16 A			1			■						■		AgNi	With manual operation	788-541	46
115 VAC	5 A			1			■				■	■			AgSnO ₂	Defined switch-on threshold	859-367	88
115 VAC	5 A			4			■					■			AgCe	With manual operation	858-507	68
115 VAC	5 A			4			■						■		AgCe + Au	With manual operation	858-517	69
115 VAC	7 A			1											AgNi 0.15		286-507	141
115 VAC	8 A			2			■						■		AgNi 90/10		788-515	36
115 VAC	8 A			2			■						■		AgNi + Au		788-615	37
115 VAC	8 A			2			■						■		AgNi	With manual operation	788-548	47
115 VAC	16 A			1			■						■		AgNi 90/10		788-507	34
115 VAC	16 A			1			■						■		AgNi + Au		788-607	35
115 VAC	16 A			1			■						■		AgNi	With manual operation	788-543	46
230 VAC	5 A			4			■				■	■			AgCe	With manual operation	858-508	68
230 VAC	5 A			4			■				■	■			AgCe + Au	With manual operation	858-518	69
230 VAC	5 A			1			■				■	■			AgSnO ₂	Defined switch-on threshold	859-368	89
230 VAC	6 A			1			■								AgSnO ₂	Integrated base load module	857-358/006-000	16
230 VAC	6 A			1			■								AgNi + Au	Integrated base load module	857-368/006-000	17
230 VAC	7 A			1											AgNi 0.15		286-508	141
230 VAC	7 A			2											AgNi 0.15		286-516	143
230 VAC	8 A			2			■						■		AgNi 90/10		788-516	36
230 VAC	8 A			2			■						■		AgNi + Au		788-616	37
230 VAC	8 A			2			■						■		AgNi	With manual operation	788-549	47
230 VAC	8 A			2											AgNi	With manual operation	789-1549	121
230 VAC	12 A			1											AgNi 90/10		789-508	113
230 VAC	12 A			1											AgNi	With manual operation	789-1544	119
230 VAC	12 A			2									■		AgNi	With manual operation	858-528	75
230 VAC	16 A	1													AgSnO ₂		789-570	127
230 VAC	16 A			1			■						■		AgNi	With manual operation	788-544	46
230 VAC	16 A			1			■						■		AgNi 90/10		788-508	34
230 VAC	16 A			1			■						■		AgNi + Au		788-608	35

WAGO Relay Modules Selection Guide

Nominal Input Voltage U_{nom}	Limiting Continuous Current	Make Contact	Break Contact	Changeover Contact	Approvals								Contact Material	For Railway Applications	Specialty function	Item Number	Page		
					EN 50121-3-2	EN 50155	EN 61373	EN 50205	EN 61810-3	EN 61812-1	GL	UL 508						ATEX	IEC Ex
12 VAC/DC	5 A			1			■					■	■		AgSnO ₂		859-353	82	
24 VAC/DC	4 A	1					■						■	■	■	AgSnO ₂		857-1330	20
24 VAC/DC	4 A	4														AgNi + Au		789-552	116
24 VAC/DC	4 A	2	2													AgNi + Au		789-536	117
24 VAC/DC	5 A	1														AgNi 0.15		288-564	130
24 VAC/DC	5 A			1			■					■	■			AgSnO ₂		859-354	82
24 VAC/DC	6 A	4	4					■					■			AgSnO ₂	Force-guided contacts	288-414	136
24 VAC/DC	6 A			1			■						■	■	■	AgSnO ₂		857-354	14
24 VAC/DC	6 A			1												AgNi 90/10		288-504	132
24 VAC/DC	6 A			1			■						■	■	■	AgNi + Au		857-364	15
24 VAC/DC	6 A			2												AgNi 0.15		288-512	133
24 VAC/DC	16 A	1														AgSnO ₂	For lamp loads	789-520	115
48 VAC/DC	5 A			1			■					■	■			AgSnO ₂		859-355	82
115 VAC/DC	5 A			1			■					■	■			AgNi + Au		859-360	83
115 VAC/DC	5 A			1			■					■	■			AgSnO ₂		859-357	82
115 VAC/DC	6 A			1			■						■	■	■	AgSnO ₂		857-357	12
115 VAC/DC	6 A			1			■						■	■	■	AgNi + Au		857-367	15
230 VAC/DC	5 A			1			■					■	■			AgSnO ₂		859-358	82
230 VAC/DC	5 A			1			■					■	■			AgNi + Au		859-359	83
230 VAC/DC	6 A	4	4					■					■			AgSnO ₂	Force-guided contacts	288-418	136
230 VAC/DC	6 A			1			■					■	■	■	■	AgSnO ₂		857-358	12
230 VAC/DC	6 A			1			■					■	■	■	■	AgNi + Au		857-368	15
24 ... 230 VAC/DC	3 A	1			■		■									AgSnO ₂		2042-3809	94
24 ... 230 VAC/DC	3 A	4				■	■									AgNi		2042-3829	107
24 ... 230 VAC/DC	3 A	2	2			■	■									AgNi		2042-3889	109
24 ... 230 VAC/DC	3 A	3	1			■	■									AgNi		2042-3879	108
24 ... 230 VAC/DC	4 A			1		■	■									AgNi		2042-3839	97
24 ... 230 VAC/DC	5 A	2			■		■									AgNi		2042-3819	101
24 ... 230 VAC/DC	5 A	1	1		■		■									AgNi		2042-3869	103
24 ... 230 VAC/DC	5 A			2	■		■									AgNi		2042-3849	102
24 ... 230 VAC/DC	6 A			1		■	■									AgSnO ₂		2042-3859	95
24 ... 230 VAC/DC	6 A			1	■		■						■			AgSnO ₂		857-359	18
24 ... 230 VAC/DC	6 A			1	■		■						■			AgNi + Au		857-369	19



WAGO Solid-State Relay and Optocoupler Modules

WAGO Solid-State Relay and Optocoupler Modules Selection Guide

2

Nominal Input Voltage U_N	Limiting Continuous Current	Nominal Input Current at U_N	2-Wire Connection	3-Wire Connection	High-Side Switching	Low-Side Switching	Zero-Voltage Switching	2-Way	Standards/Approvals						For Railway Applications	Specialty Function	Item Number	Page
									EN 50121-3-2	EN 61000-6-2	EN 61000-6-3	EN 61373	EN 61812-1	GL				
5 ADC	0.1 A	7.5 mA	■						■	■	■	■			■	859-793	197	
5 VDC	0.1 A	16.5 mA		■	■					■	■	■			■	859-753	216	
5 VDC	0.1 A	17 mA	■						■	■	■	■			■	859-795	194	
5 VDC	0.5 A	7.7 mA	■				■			■	■	■			■	859-902	220	
5 VDC	0.5 A	9.6 mA		■	■					■	■	■			■	859-702	209	
5 VDC	0.5 A	10 mA		■	■					■	■	■			■	859-752	211	
5 VDC	0.5 A	14 mA		■	■											286-752/002-000	228	
5 VDC	5 A	7.2 mA	■						■	■	■	■				859-738	204	
12 VDC	0.1 A	4 mA	■						■	■	■	■			■	859-798	196	
12 VDC	0.5 A	9.2 mA	■							■	■	■				859-797	215	
12 VDC	5 A	3.2 mA	■						■	■	■	■				859-739	205	
24 VDC	0.1 A	4 mA	■						■	■	■	■				286-794	234	
24 VDC	0.1 A	4 mA	■						■	■	■	■			■	859-791	192	
24 VDC	0.1 A	4.2 mA	■						■	■	■	■			■	859-794	193	
24 VDC	0.1 A	5.6 mA	■					■		■	■	■			■	857-1494	165	
24 VDC	0.1 A	7 mA	■						■	■	■	■			■	2042-7204	224	
24 VDC	0.1 A	9 mA	■							■	■	■			■	857-704	152	
24 VDC	0.1 A	9 mA	■	■	■					■	■	■			■	859-759	217	
24 VDC	0.1 A	9.2 mA	■						■	■	■	■			■	859-796	195	
24 VDC	0.1 A	14 mA	■													286-791	233	
24 VDC	0.25 A	15 mA	■					■								286-792	235	
24 VDC	0.5 A	5.3 mA		■		■				■	■	■			■	859-732	218	
24 VDC	0.5 A	5.9 mA		■	■			■		■	■	■			■	857-1432	166	
24 VDC	0.5 A	6 mA	■				■			■	■	■			■	859-734	219	
24 VDC	0.5 A	7 mA		■	■				■	■	■	■		■		2042-7304	226	
24 VDC	0.5 A	7.7 mA		■		■				■	■	■			■	859-708	210	
24 VDC	0.5 A	8 mA		■	■					■	■	■			■	859-758	213	
24 VDC	0.5 A	9 mA	■											2 inverted outputs		286-790	232	
24 VDC	0.5 A	11 mA		■	■					■	■	■			■	859-756	212	
24 VDC	0.5 A	11 mA		■		■				■	■	■			■	859-706	214	
24 VDC	0.5 A	15 mA		■	■											286-752	231	
24 VDC	1 A	7 mA	■							■	■	■			■	788-720	184	
24 VDC	1 A	9.15 mA	■					■			■	■		Multifunctional/ multi-time		857-634	169	
24 VDC	2 A	9.15 mA	■					■			■	■		Multifunctional/ multi-time		857-624	168	
24 VDC	2 A	9.2 mA	■						■	■	■	■			■	857-714	156	
24 VDC	3 A	4 mA		■		■				■	■	■			■	859-720	202	
24 VDC	3 A	7 mA	■							■	■	■			■	859-740	199	
24 VDC	3 A	7 mA	■							■	■	■			■	859-762	201	
24 VDC	3 A	7.75 mA	■							■	■	■			■	857-1430	164	
24 VDC	3 A	9.2 mA	■							■	■	■			■	857-724	160	
24 VDC	3 A	14 mA	■							■	■	■			■	859-730	198	
24 VDC	3 A	14 mA	■							■	■	■			■	859-761	200	
24 VDC	3.5 A	7 mA	■							■	■	■			■	788-700	181	
24 VDC	3.5 A	13 mA	■					■		■	■	■			■	788-730	183	
24 VDC	4 A	13.5 mA		■	■											286-723	230	
24 VDC	5 A	3.5 mA	■							■	■	■			■	859-737	203	
24 VDC	5 A	7 mA		■	■				■	■	■	■		■		2042-7604	227	
24 VDC	5 A	9.3 mA	■							■	■	■			■	788-701	182	
24 VDC	5 A	11 mA			■					■	■	■				788-710	180	
24 VDC	5 A	13.5 mA		■		■										286-721	229	
24 VDC	8 A	8.7 mA	■						■	■	■	■		■		857-734	163	

WAGO Solid-State Relay and Optocoupler Modules Selection Guide

Nominal Input Voltage U_N	Limiting Continuous Current	Nominal Input Current at U_N	2-Wire Connection	3-Wire Connection	High-Side Switching	Low-Side Switching	Zero-Voltage Switching	2-Way	Standards/Approvals						For Railway Applications	Specialty Function	Item Number	Page	
									EN 50121-3-2	EN 61000-6-2	EN 61000-6-3	EN 61373	EN 61812-1	GL					UL 508
48 VDC	0.1 A	7 mA	■						■	■	■	■				■		2042-7504	225
12 ... 48 VDC	4 A	5 mA	■							■	■	■						859-744	206
24 VAC/DC	4 A	10 mA	■				■			■	■	■						788-721	185
115 VAC/DC	0.1 A	4.2 mA	■							■	■	■						857-707	153
115 VAC/DC	2 A	3.9 mA	■				■			■	■	■						857-717	157
115 VAC/DC	3 A	3.9 mA	■							■	■	■						857-727	161
230 VAC/DC	0.1 A	3.25 mA	■							■	■	■						857-708	154
230 VAC/DC	2 A	3.2 mA	■				■			■	■	■						857-718	158
230 VAC/DC	3 A	3.2 mA	■							■	■	■						857-728	162
230 VAC	0.5 A	0.6 mA		■		■				■	■	■						859-712	207
230 VAC	0.5 A	0.6 mA		■	■					■	■	■						859-772	208